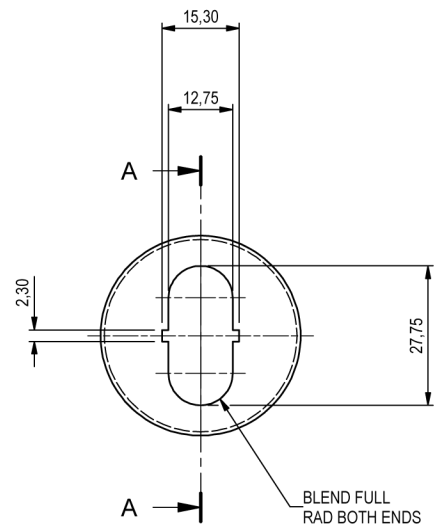
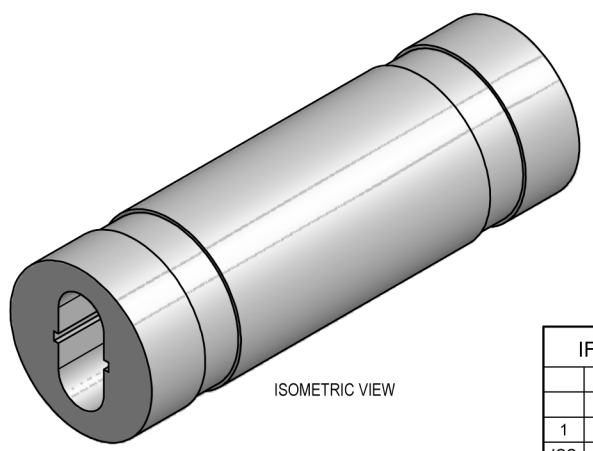


SECTION A - A



BLEND FULL
RAD BOTH ENDS

GLAZED ALL OVER
FOR PART DETAILS AND SPECIFICATION SEE
MANUFACTURING DRAWING BAB-304



ISOMETRIC VIEW

IF IN DOUBT ASK			TOLERANCES UNLESS STATED		DRN	TS	MAT'L	 Morgan Advanced Materials Central Park Drive Central Park Rugby Warwickshire CV23 0WE England CONFIDENTIAL INFORMATION © Morgan Advanced Ceramics Ltd.
					CHK'D		SINTOX AL	
					DATE		FIN	
1	101404	13/03/2001			05/05/2010		SPEC	
ISS	C/N	DATE	DIMENSIONS IN MILLIMETRES			SCALE	1:1	
THIRD ANGLE		DO NOT SCALE	ITEM DESCRIPTION REFLECTOR (BAB-304)				DRG. No.	WD-003